

K SERIES

FROM 5,000 TO 27,300 IN-LBS,
NEMA 4 AND/OR 7

The K series of heavy-duty reversing actuators were developed in 1995 and meet AWWA standards. ICI's K series rotary electric actuator is a machine that was designed to automate quarter turn equipment requiring up to 27,300 In-Lbs of torque. The K series actuators are equipped with a combination of spur gear / worm gear drive train providing efficient and quiet operation, resistance to back driving and long maintenance free service.

SPECIFICATIONS:

TORQUE	5K	5000 In-Lb (565 Nm)
	7K	7020 In-Lb (793 Nm)
	12K	11500 In-Lb (1302 Nm)
	14K	14040 In-Lb (1586 Nm)
	19K	19020 In-Lb (2149 Nm)
	27K	27300 In-Lb (3084 Nm)
CYCLE TIME	5K & 7K	38 Sec. / 90; 12Vdc = 45 Sec. / 90; 24Vdc = 21 sec. / 90
	12K & 14K	58 Sec. / 90; 24Vdc = 43 sec. / 90
	19K	114 Sec. / 90; 12Vdc = 45 Sec. / 90; 24Vdc = 59 sec. / 90
	27K	136 Sec. / 90



5K up to 14K Shown

DUTY CYCLE	12Vdc, 24Vdc, 24Vac 100%	
	115Vac - 1Ph 30 minute continuous run	
	230Vac - 1Ph 30 minute continuous run	
	230Vac - 3Ph & 460Vac-3Ph 30 minute continuous run	

MOTOR Permanent split capacitor (for AC) with thermal overload protection

CURRENT RATINGS FL= Full Load, LR= Lock Rotor

	115 Vac (Std.)		24 Vac		24 Vdc		12 Vdc		208 Vac/1Ph/60Hz*		230 Vac/1Ph/60Hz		230 Vac/3Ph		460 Vac/3Ph	
	FL	LR	FL	LR	FL	LR	FL	LR	FL	LR	FL	LR	FL	LR	FL	LR
5K & 7K	2.5	4.0	14.0	32.6	14.0	32.6	16.5	38.5	1.5	2.2	1.4	2.0	1.7	3.8	0.6	2.0
12K	2.5	4.0	CF	CF	CF	CF	CF	CF	1.5	2.2	1.4	2.0	1.7	3.8	0.6	2.0
14K	5.4	15.0	CF	CF	CF	CF	CF	CF	1.3	4.4	1.2	4.0	1.0	4.1	5.4	15.0
19K & 27K	5.4	15.0	CF	CF	CF	CF	CF	CF	CF	CF	CF	CF	CF	CF	CF	CF

The motor's LR amps must be taken into account when sizing the input power supply and fuses. Slow blow fuses are recommended

* Reduce actuator torque 10% for sizing purposes

CERTIFICATIONS None - General Purpose Actuators
Designed to meet NEMA 4 Standards with optional NEMA enclosure types 4X, 9 and 7 available
Designed to meet AWWA C540 standards

COATING Thermally bonded polyester powder

POSITION INDICATOR Visual Dome Indicator
Electric Feedback from limit switches, same as operating voltage

SWITCHES Snap action SPDT, 15A @ 250Vac

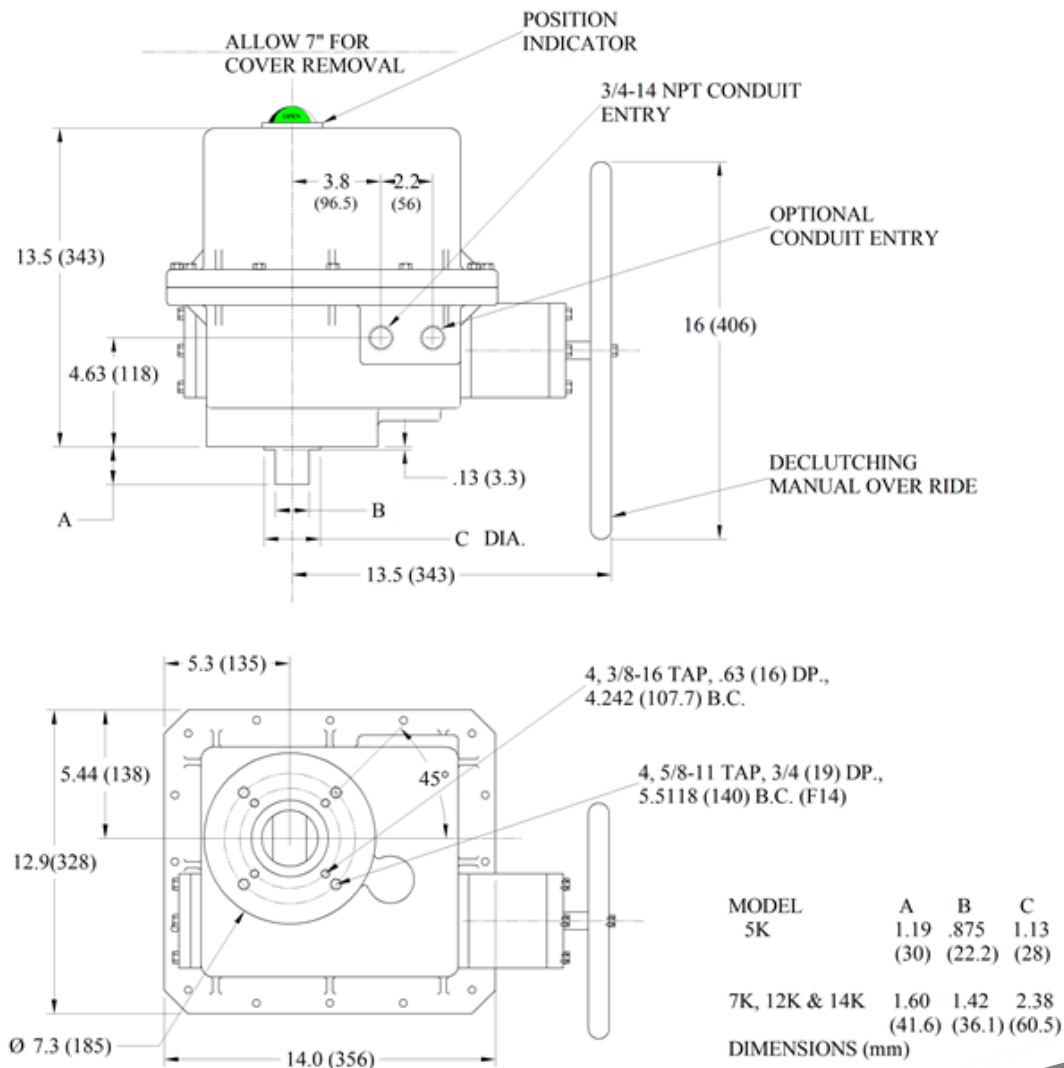
TORQUE SENSOR Mechanical, set for torque at full load amp draw



K SERIES

FROM 5,000 TO 27,300 IN-LBS,
NEMA 4 AND/OR 7

LUBRICATION	Grease	Permanent, little or no maintenance required
WEIGHT	5K up to 14K 19K & 27K	110 Pounds (50 kg) 195 Pounds (88.5 kg)
MOUNTING	Universal	
MOUNTING PAD	5K 7K to 14K 19K 27K	ISO 5211 F14 & 4.242" Bolt Circle with 22.2mm Double "D" Male Drive ISO 5211 F14 & 4.242" Bolt Circle with 36.1mm Double "D" Male Drive ISO 5211 F14 Bolt Circle with 36mm Double "D" Male Drive 7.50" Bolt Circle with 2.375" Bore & 0.625" Keyway
TEMPERATURE	-40F (-40C) to 150F (65.6C), heater & thermostat required 0F and below Optional double heater for application up to -76F (-60C)	
OVERRIDE	Manual, Declutching Hand Wheel	



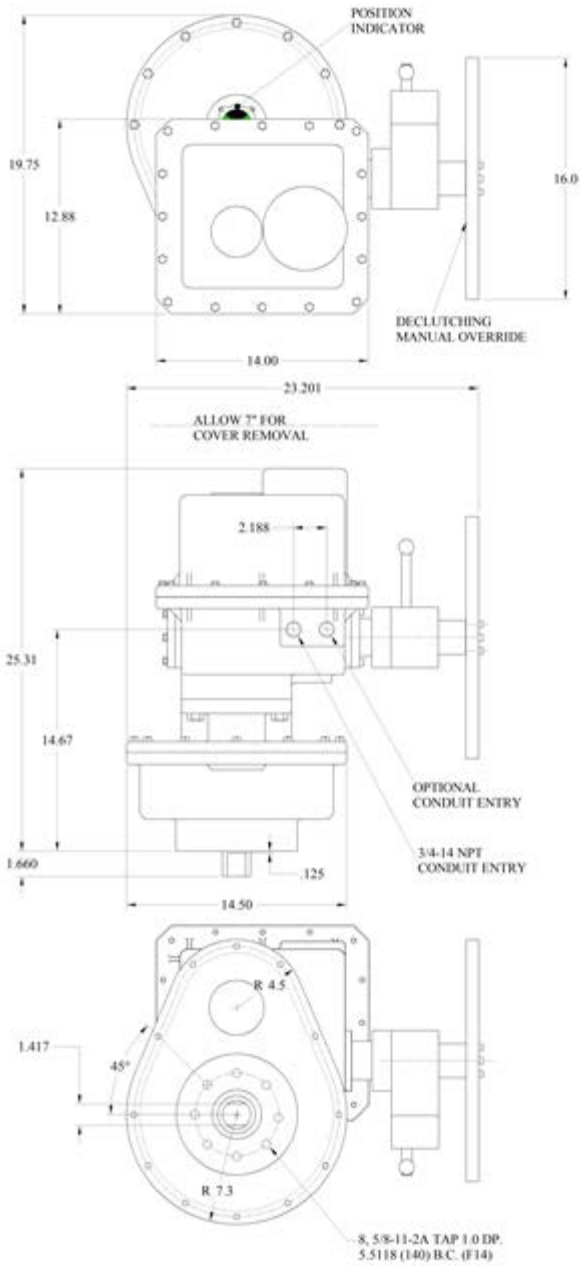
19K and 27K technical drawing on next page



K SERIES

FROM 5,000 TO 27,300 IN-LBS,
NEMA 4 AND/OR 7

19K TECHNICAL DRAWING:



27K TECHNICAL DRAWING:

