



INDELAC MODEL 12 SERIES



(200 TO 1,900 IN-LB THRUST) NEMA 4

ICI's electric linear actuators are high quality, industrial grade machines designed for control valve automation. They are recommended for applications ranging from on/off to modulating process control. Indelac's linear actuators utilize precision ball screw technology to convert rotary motion to linear travel. The ball screw efficiently (>90%) converts rotary power (torque) to linear force in pounds thrust. Our ball screw drive system offers the most cost effective combination of speed, accuracy, efficiency, position repeatability, and quiet operation available on today's valve automation equipment. ICI's linear actuators are available with voltages from 12 Vdc to 230 Vac-1Ph. They are available in direct drive as well as spring return versions. The unique clutch/ball screw technology on our spring return models assures positive shut off regardless of valve position when power is lost.

SPECIFICATIONS

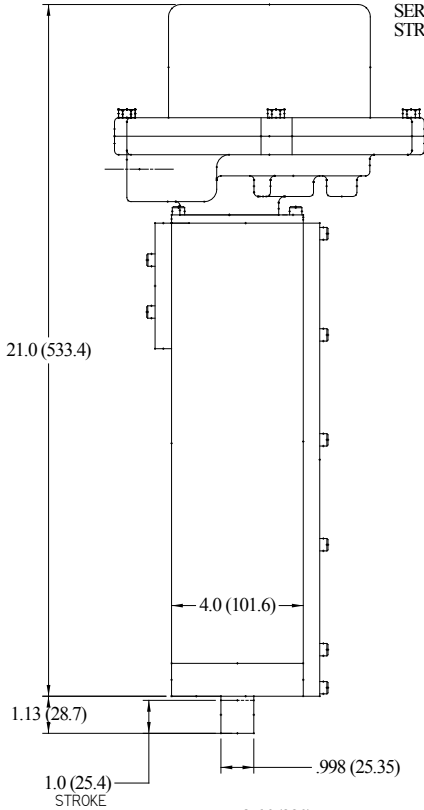
THRUST	200-1,900 In-Lb	(22.6-214.7 Nm)
CYCLE TIME	3 IPM	
DUTY CYCLE	75% 115 Vac (standard)	
ENCLOSURE	NEMA 4 (standard)	
COATING	Thermally bonded polyester powder	
POSITION IND.	Wired for light indication	
SWITCHES	SPDT snap action, 15 Amps @ 250 Vac (optional on 4-20mA control)	
LUBRICATION	Permanent	
WEIGHT	16 Lbs (Model 12-2N1B)	
INSTALLATION	Universal	
TEMP. RANGE	-40°F to 150°F Heater & Thermostat required 0°F & below	
OVERRIDE	Manual (optional)	



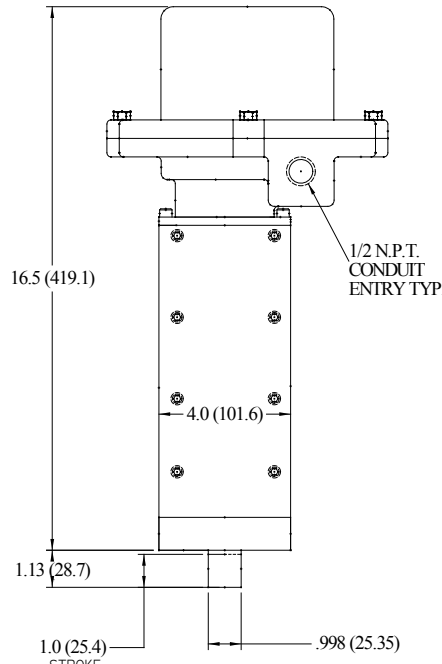
TECHNICAL DRAWINGS & WIRING DIAGRAM

ALLOW 4" (101.6) FOR COVER REMOVAL

TWO POSITION SPRING RETURN SERIES 12 LINEAR ACTUATOR 1" STROKE SHOWN 200 Lbs Thrust



TWO POSITION SERIES 12 LINEAR ACTUATOR 1" STROKE SHOWN 200 Lbs Thrust

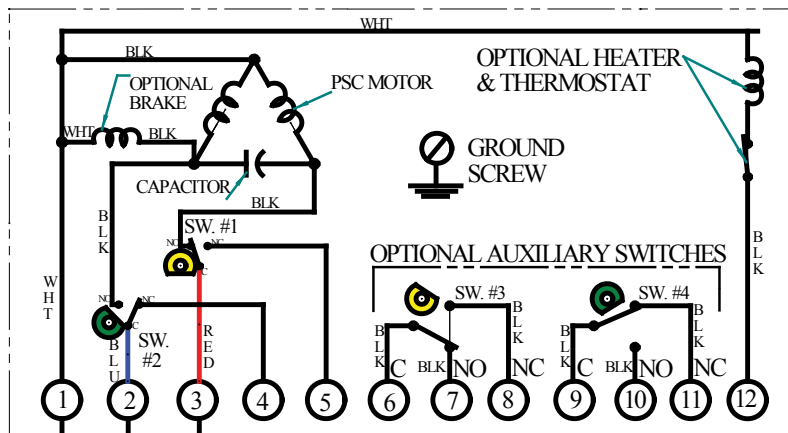
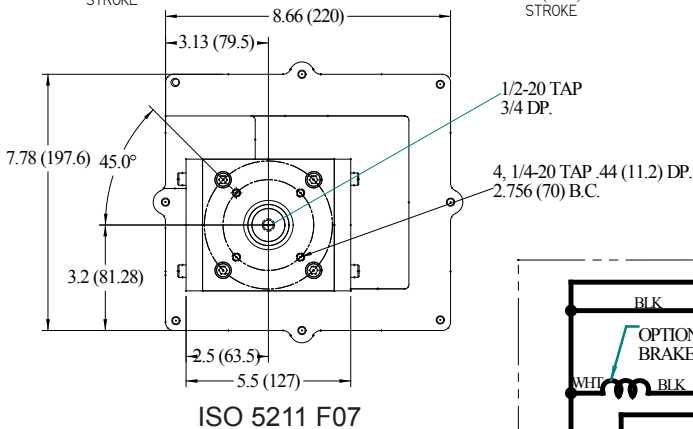


MOUNTING PAD
300 Stainless steel shaft
ISO 5211 F05 BC

MOTOR
Permanent split capacitor
115 Vac / 1Ph / 50-60 Hz (standard)
with thermal over load protection

115 Vac (Std.)
24 Vac
24 Vdc
12 Vdc
230 Vdc

Voltages Available



NOTES:
POWER TO TERMINALS 1 & 2 OPENS THE VALVE (CCW ROTATION)
POWER TO TERMINALS 1 & 3 CLOSES THE VALVE (CW ROTATION)
TERMINALS 4 & 5 FOR LIGHT INDICATION
TERMINALS 6 THROUGH 11 FOR AUXILIARY SWITCH CONNECTIONS
TERMINAL 12 HOT FOR HEATER & THERMOSTAT
WIRING DIAGRAM ILLUSTRATES THE ACTUATOR IN THE OPEN POSITION

FIELD WIRING



- SW. #4 OPEN AUXILIARY
- SW. #3 CLOSE AUXILIARY
- SW. #2 OPEN LIMIT
- SW. #1 CLOSE LIMIT