

# RXP

## 100 IN-LBS, NEMA 7

The RXP model of the R series compact electric rotary actuator is designed for use in hazardous locations.

### SPECIFICATIONS:

**TORQUE** 100 In-Lb (11.3 Nm)

**CYCLE TIME** 2.5 Sec./90 115Vac & 230Vac  
2.9 Sec./90 12Vdc, 24Vdc, 24Vac motor (75%)

**DUTY CYCLE** 25% standard on 115Vac and 230Vac  
75% standard on 12Vdc, 24Vdc and 24Vac

**MOTOR** Permanent split capacitor (for AC) with thermal overload protection



**CURRENT RATINGS** FL= Full Load, LR= Lock Rotor

115 Vac (Std.)		24 Vac		24 Vdc		12 Vdc		208 Vac/1Ph/60Hz		230 Vac/1Ph/60Hz	
FL	LR	FL	LR	FL	LR	FL	LR	FL	LR	FL	LR
0.40	0.55	0.40	2.40	0.40	2.40	0.60	2.90	0.36	0.72	0.33	0.38

The motor's LR amps must be taken into account when sizing the input power supply and fuses. Slow blow fuses are recommended

**CERTIFICATIONS** CSA Master Contract 178618

**CLASSIFICATION** Class I Groups C and D, Divisions 1 & 2; Class II Groups E, F & G, Divisions 1 and 2

**CANADIAN** CSA Std. C22.2 No. 139-1982 – Electrically Operated Valves,  
CSA Std. C22.2 No. 25-1966 – Enclosures for use in Class II, Groups E, F & G Hazardous Locations  
CSA Std. C22.2 No. 30-M 1986 – Explosion Proof Enclosures for use in Class I Hazardous Locations

**UNITED STATES** UL Std. No. 29, 5<sup>th</sup> Edition 1999 – Electrically Operated Valves  
UL Std. No. 1203, 3<sup>rd</sup> Edition 2000 – Explosion Proof and Dust-Ignition-Proof Electric Equipment for use in Hazardous (Classified) Locations

**APPROVED VOLTAGES** 12Vdc, 24Vdc, 115Vac & 230Vac

**APPROVED ENCLOSURES** NEMA Type 4X, Type 7 and IP66

**APPROVED TEMP.** -4F (-20C) to 104F (40C)

**APPROVED OPTIONS** Power off Brake, One or Two Auxiliary Switches, 1K, 5K & 10K Potentiometers, Heater, Heater with Thermostat and Three Position (For complete list of options, see option grid in catalog page 33)

**COATING** Thermally bonded polyester powder

**INDICATOR** Visual Dome style  
Electric Feedback from limit switches, same as operating voltage

**SWITCHES** Snap action SPDT, 15A @ 250Vac

**LUBRICATION** Grease Permanent, little or no maintenance required

**WEIGHT** Pound 7 (lb)  
Kilogram 3.2 (kg)

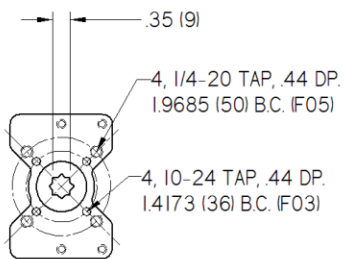
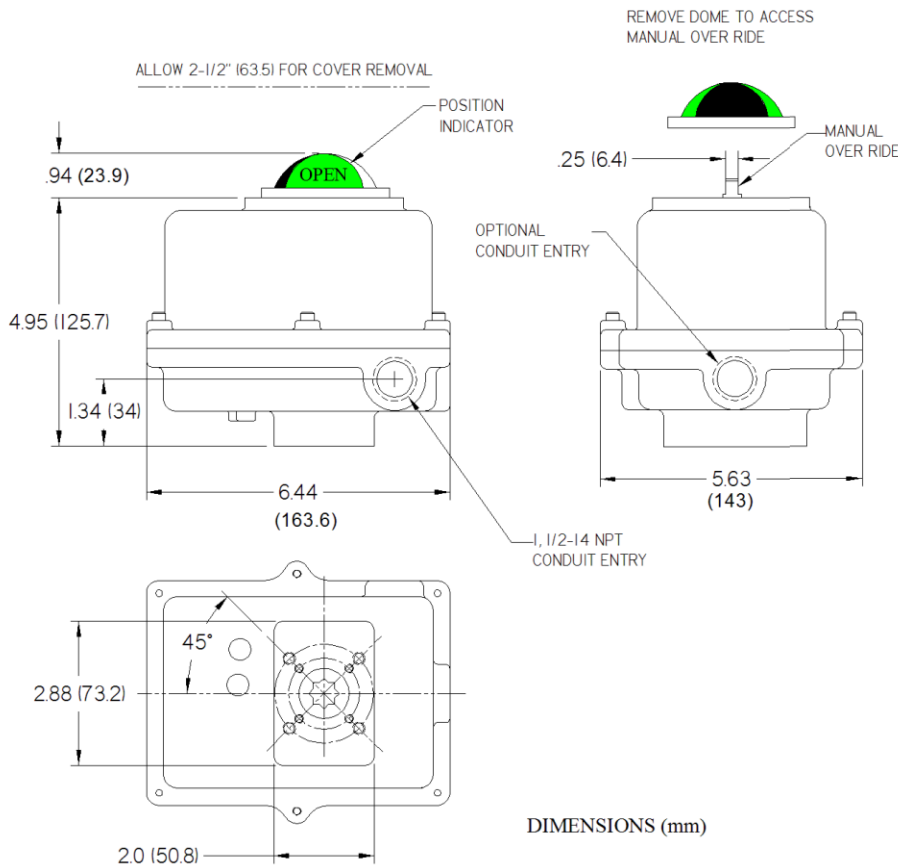
**MOUNTING** Universal



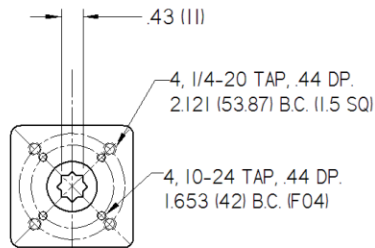
# RXP

## 100 IN-LBS, NEMA 7

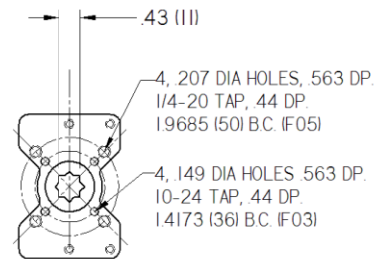
MOUNTING PAD	ISO 5211 F03 (9mm star drive), F04 (11mm star drive) or F03/04 (11mm star drive with F03 bolt circle)
TEMPERATURE	-40F (-40C) to 150F (65.6C), heater & thermostat required 0F and below Optional double heater for application up to -76F (-60C)
OVERRIDE	Manual, non-declutching Declutching manual override not available DC voltage cannot be manually operated



**ISO 5211 F03  
STANDARD**



**ISO 5211 F04**



**ISO 5211 F03/04**

